

AUTOVUE 3D PROFESSIONAL ADVANCED

KEY FEATURES AND BENEFITS

KEY FEATURES

- View hundreds of document types
- Add markups and comments
- Perform precise 3D and 2D measurements
- 3D Walkthrough
- Compare 3D & 2D designs
- Create exploded views
- Section 3D models
- View 2D models and drafts
- Perform 3D entity searches
- Create digital prototypes
- Advanced printing capabilities
- Work Offline
- Hold real time collaboration sessions via the web

KEY BENEFITS

- Extend the reach of product and asset documents to all enterprise users
- Standardize design review and troubleshooting processes
- Reduce costs, delays and rework by detecting and resolving design issues early
- Drive innovation through improved communication
- Capture audit trail of decisions, changes and approvals for compliance
- Share documents securely without risking intellectual property

“AutoVue enables concurrent engineering at Selex and impacts productivity by allowing fast and accurate global design team reviews. This improves our time to market and product quality by aligning multi discipline engineering and production teams at every stage in the product development process.”

—Dr. Claudio Ianiciello,
Director of PLM Technologies,
Selex Communications

Oracle’s AutoVue 3D Professional Advanced makes product and asset documents and information accessible to everyone in an organization. With its document viewing, digital markup, and real-time collaboration capabilities users involved in a variety of business processes, such as product design, change management, maintenance and repairs, or project planning can access, share, and collaborate on product, asset and engineering documents, driving innovation and revenue, increasing efficiency, and maximizing productivity.

Extend Product and Asset Documents to All Enterprise Users

AutoVue 3D Professional Advanced makes product and asset documents and information, including 3D/2D CAD, Graphics, Office and PDF documents, available to all enterprise users, regardless of their technical skills and without requiring costly authoring applications. Whether it is a simple PDF file or a complex CAD drawing, the need to share information is crucial in product and asset-intensive industries such as Industrial Manufacturing, Engineering & Construction, Utilities and Oil & Gas. With access to the right documents at the right time, team members can make more effective technical and business decisions.

With AutoVue 3D Professional Advanced users can also work with their asset and product documents while offline. Field workers or business travelers can take documents on site or on the road, work offline, and then update their comments or feedback once they are back on the network.

Streamline Design Reviews and Capture Reliable Audit Trail

With AutoVue 3D Professional Advanced users can view, review, verify and provide feedback on documents during design reviews, change management and troubleshooting processes. With AutoVue these processes are vastly improved making it easier to identify errors or design flaws early in the process, minimizing costly rework and achieving faster time to market. AutoVue’s digital markups also capture a reliable audit trail of all decisions, changes and approvals around product information.

Enhance Capital Projects & Facility Operations with 3D Walkthrough

AutoVue 20.0 adds value to your 3D investment by including new 3D Walkthrough capabilities, which allow users to perform detailed reviews of facilities from within and explore buildings and structures in a more natural way.

While in walkthrough mode, users can look at the attribute data of the complete structure and also add markups and comments to specific areas of a building or

facility which subsequent reviewers can view in the appropriate context. For example, if spatial interference is discovered within the building structure users can easily notify project team members via digital comments, which are captured and stored as part of the project's audit trail. Similarly, during maintenance operations, repair activity can be captured and documented within the facility model, taking the guesswork out of maintenance activities for engineers and repair technicians.

Drive Innovation through Improved Global Collaboration

AutoVue 3D Professional Advanced's built in real-time collaboration capabilities help organizations to connect everyone in the global enterprise, allowing co-workers and partners alike to communicate as if they were in the same room, even if they are on the other side of the world. Users can simultaneously review, markup documents, exchange ideas, assign action items, and resolve design issues in real time.

Share Documents Securely without Risking Intellectual Property

AutoVue 3D Professional Advanced allows users to securely collaborate with extended teams and outsourced partners on sensitive documents without risking a company's valuable intellectual property (IP). AutoVue's unique streaming technology provides access to the full intelligence of documents without transferring the original files to the client desktop; originals never leave the server, and no local temp or cache files are created in the process, ensuring that a company's IP remains protected at all time.

Support Green Initiatives

AutoVue 3D Professional Advanced can complement and support a company's green initiatives. Instead of depending on printouts that they manually mark up, users can view, review, and annotate digital files. AutoVue can greatly reduce an organization's printing and paper costs, as well as shipping and handling expenses. AutoVue's real-time Web collaboration can replace face-to-face meetings, resulting in reduced travel costs, greater energy savings, and improved productivity.

Key Features and Capabilities

View hundreds of document types. AutoVue allows users to access the full, embedded intelligence in 3D models, 2D drawings & Office files - without the authoring software and without undergoing costly and error-prone conversions.

Add markups and comments. Add markups, as well as sound, video and graphic attachments to your documents. Easily manage and track feedback, change requests, and comments across multiple reviewers. Markups are saved as separate layers on top of the original document, which remains intact and is never altered.

Create Digital Prototypes: Import and combine parts and components of various 3D CAD designs to create virtual prototypes. Check for potential interferences and validate design integrity without the expense and time associated with physical prototypes.

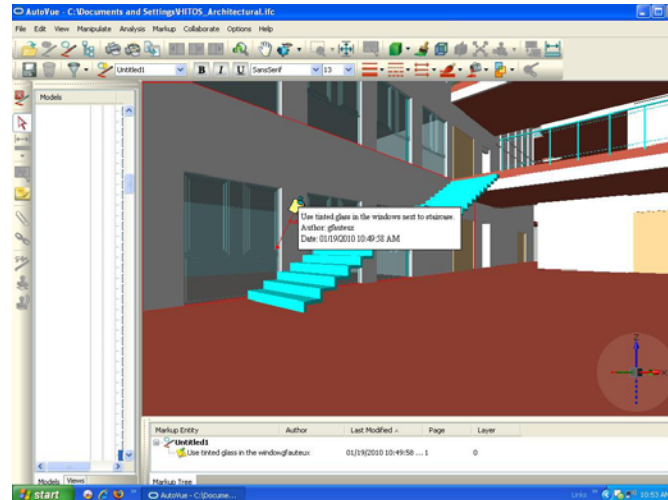


Figure 1: Add comments to building and facilities models during 3D Walkthrough

Enable digital sign-off – Quickly approve markups and comments with digital sign-off. The sign-off stamp contains information about the markup author, date and time of creation. Reviewers can also use AutoVue’s IntelliStamp to electronically sign and stamp document sets with attributes from the back-office system.

3D Features and Capabilities

Perform precise 3D and 2D measurements. Speed up design reviews with precise measurements including mass properties, distance, areas, angles, and more.

Intelligent 3D Compare. Instantly determine what has been added, removed, or remained unchanged in your designs by comparing 3D assemblies. This unique feature goes beyond a graphical comparison and includes the ability to detect changes to non-graphical attributes at the part or assembly level.

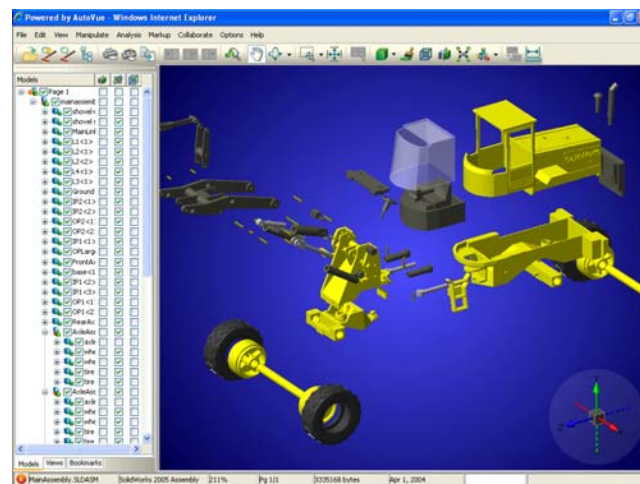


Figure 2: Explode 3D assemblies into component parts.

Create exploded views. Explode complex 3D assemblies to reach the component level more quickly and create clear illustrations for control documents, such as

**MAXIMIZE PRODUCTIVITY
WITH ENTERPRISE
INTEGRATION**

ORACLE'S AUTOVUE
ENTERPRISE
VISUALIZATION
SOLUTIONS

AutoVue solutions can be integrated into existing content management, product lifecycle management, or enterprise applications, such as ALM, & Project Planning to name a few. Integrated with existing enterprise systems, AutoVue connects information, people and processes, delivering anytime, anywhere access to vital information and maximizing business process efficiency. Teams can better collaborate around their engineering and product documents and make sound business decisions, driving innovation and operational efficiency.

RELATED PRODUCTS

- AutoVue 2D Professional
- AutoVue EDA Professional
- AutoVue Electro-Mechanical Professional
- AutoVue Office
- AutoVue Mobile
- AutoVue VueLink Integrations

assembly and maintenance instructions.

Section 3D models. Cross-section assemblies or parts across multiple planes to draw attention to internal structures and assembly relationships or measure dimensions within individual parts.

Share product manufacturing information (PMI), geometric dimensioning and tolerance (GD&T), and functional tolerance annotation (FTA) data. AutoVue delivers support for PMI, GD&T, and FTA data. Manufacturing personnel can instantly access, view, and review important product specifications and ensure that products are manufactured in compliance with design engineering's intent.

View 2D drafts. Access the 2D drafts associated with 3D models.

Perform 3D entity searches. Quickly find the information you need by searching and filtering for parts in a 3D assembly based on a variety of native file attributes.

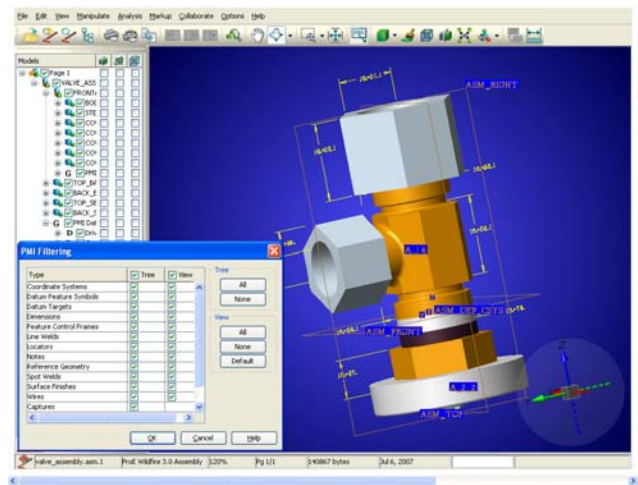


Figure 3: View PMI, GD&T, and FTA data.

Advanced printing. Save time by automating the printing process—batch print files, customize print settings, and save printing configurations.

Contact Us

For more information about Oracle's AutoVue 3D Professional Advanced, please visit oracle.com/applications/autovue, call +1.800.363.5805 or +1.514.905.8400 to speak to an Oracle representative, or email autovuesales_ww@oracle.com.

Copyright © 2010, Oracle and/or its affiliates. All rights reserved.

This document is provided for information purposes only, and the contents hereof are subject to change without notice. This document is not warranted to be error-free, nor is it subject to any other warranties or conditions, whether expressed orally or implied in law, including implied warranties and conditions of merchantability or fitness for a particular purpose. We specifically disclaim any liability with respect to this document, and no contractual obligations are formed either directly or indirectly by this document. This document may not be reproduced or transmitted in any form or by any means, electronic or mechanical, for any purpose, without our prior written permission.

Oracle is a registered trademark of Oracle Corporation and/or its affiliates. Other names may be trademarks of their respective owners.